
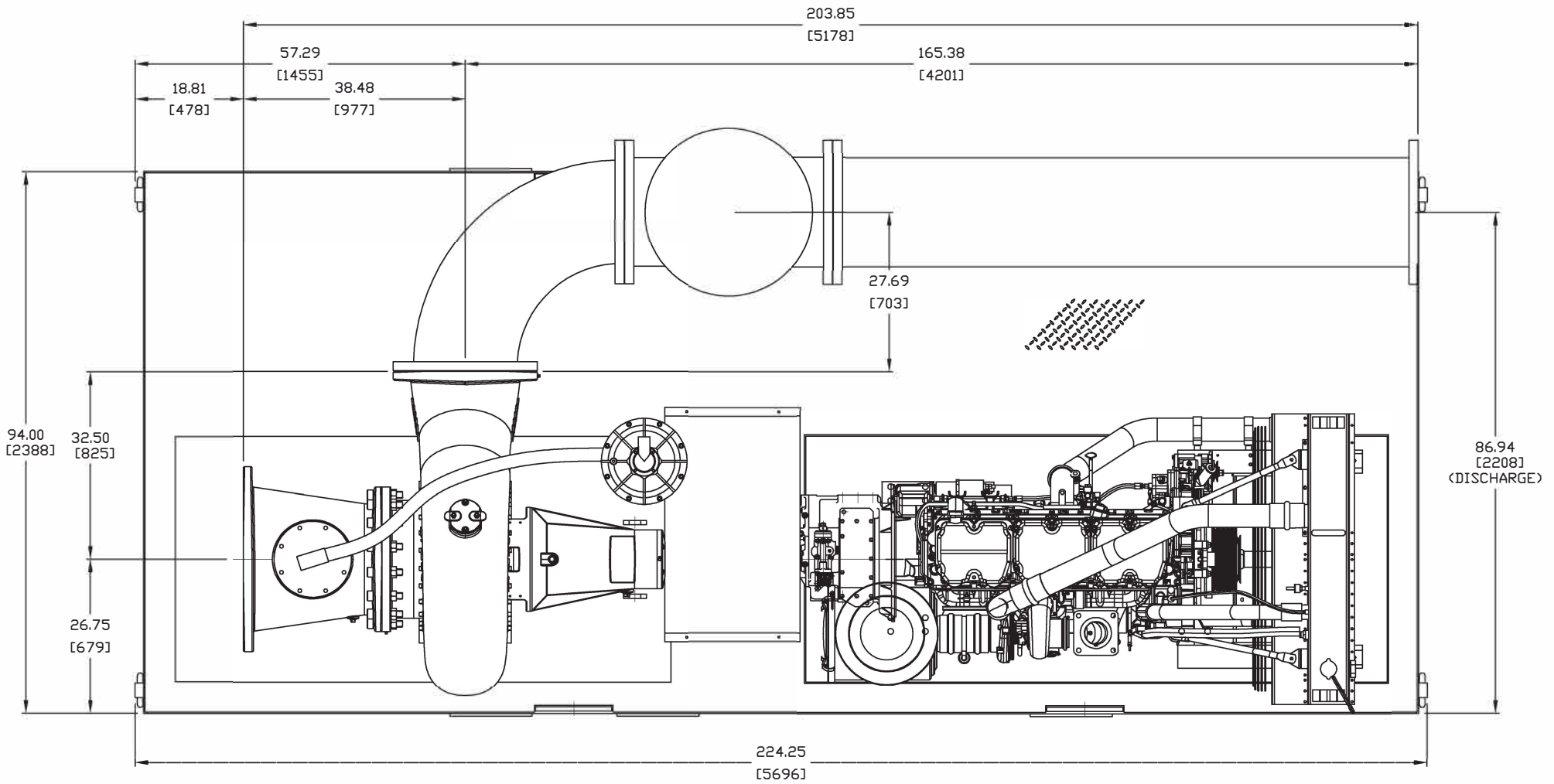


INCH DIMENSIONS IN [] ARE METRIC  FIRST ANGLE PROJECTION REMOVE ALL BURRS, BREAK SHARP EDGES, AND INSPECT. CHAMFER ALL TAPPED HOLES. DO NOT SCALE	GLOBAL PUMP <small>A MERSINO COMPANY</small>		Davison MI 48423	
	This document, including the conceptual content and specifications, is the intellectual property of Mersino Dewatering, Inc. It is not to be used for the purpose other than that for which it was provided by Mersino to the recipient, nor copied, loaned, or otherwise communication to any third party, in whole or part, without the written consent of Mersino Dewatering, Inc.			
TITLE:		24GHTDPIC3S10P GENERAL DIMENSIONS		DWG NO.:
SH1 1	TOTAL SH1S 2	DATE: 04/18/16	DWG. BY: TL	AUTHORIZED BY: -
				MANUF. REP.: -



INCH
DIMENSIONS IN
[] ARE METRIC

ISO ANGLE PROJECTION

REMOVE ALL
BURRS, BREAK
SHARP EDGES,
AND INSPECT.
CHAMFER ALL
TAPPED HOLES.

DO NOT
SCALE

GLOBAL PUMP
A MERSINO COMPANY

Davison MI 48423

This document, including the conceptual content and specifications, is the intellectual property of Mersino Dewatering, Inc. It is not to be used for the purpose other than that for which it was provided by Mersino to the recipient, nor copied, loaned, or otherwise communication to any third party, in whole or part, without the written consent of Mersino Dewatering, Inc.

TITLE:		24GHTDPICT3S10P GENERAL DIMENSIONS			DWG NO.:	
SHT	TOTAL SHTS	DATE:	DWG. BY:	AUTHORIZED BY:	MANUF. REP.:	
2	2	04/18/16	TL	-	-	